

7.0 x 7.5mm Tact Switch (0.6mm Thick, SMT Type)



TSF-16S-XXX


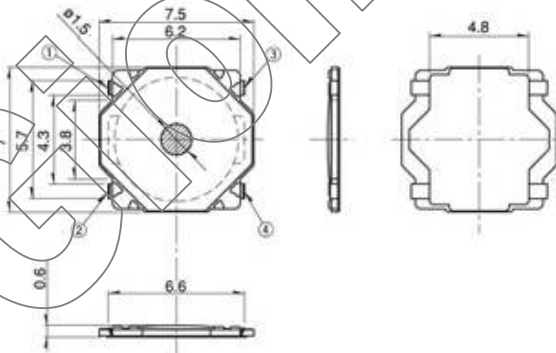
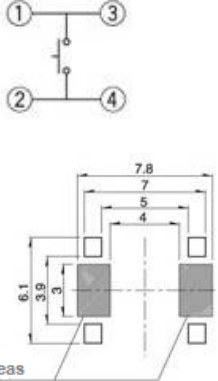
TB - Tact Switch
 F - F Series
 16 - Type
 S - SMT Type
 XXX - Action Force (gram)

SPECIFICATIONS

Mechanical Life: 300,000 cycles
 Operating Force: 100g±50g, 160g±50g
 Travel: 0.25±0.1mm
 Rating: 50mA 12V DC
 Dielectric withstanding: 250V AC/minute
 Insulator Resistance: ≥ 100 MΩ at 100V
 Contact Resistance: ≤ 100 mΩ/Contact
 Operating Temperature: -20°C ~ +70°C
 Storage Temperature: -40°C ~ +85°C

Material

Base: LCP, UL94V-0
 Contact material: Phosphor Bronze
 Contact Spring Plating: Stainless Steel/Silver Plating

Physical Picture	Outline Drawing	Circuit
 <p>TSF-16S-XXX</p>		 <p>No Trace Areas</p>